

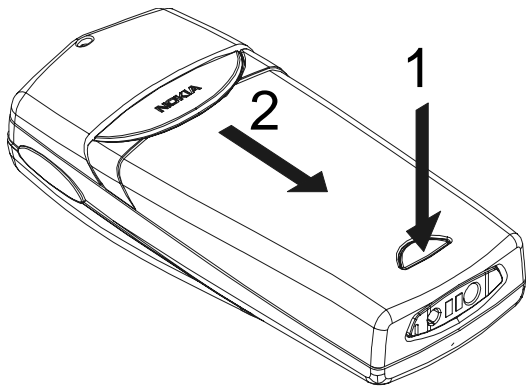
PAMS Technical Documentation
NSB-8 Series Transceivers

**Assembly & Disassembly
Instructions**

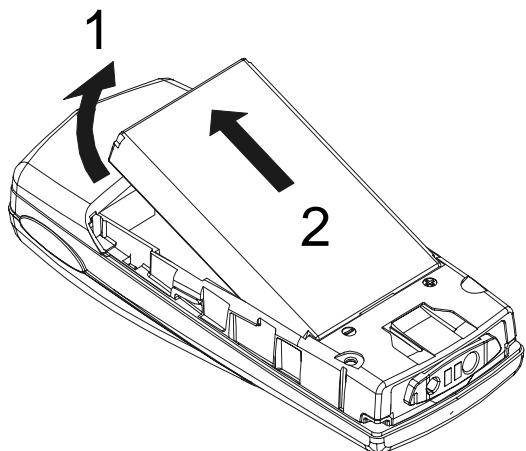
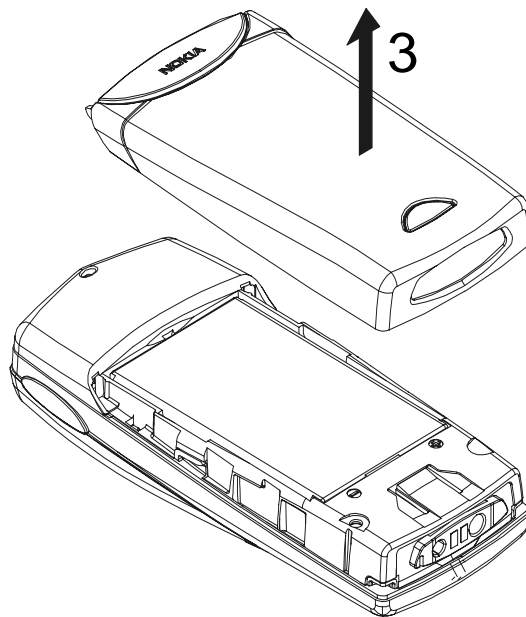
Table of Contents

	Page No
Disassembling the NSB-8 Transceiver	3
Assembling the NSB-8 Transceiver.....	9

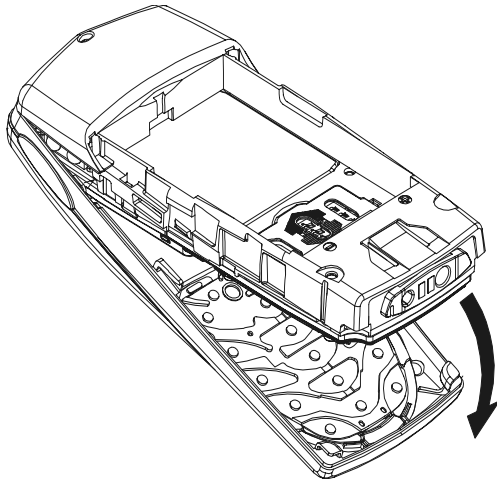
Disassembling the NSB-8 Transceiver



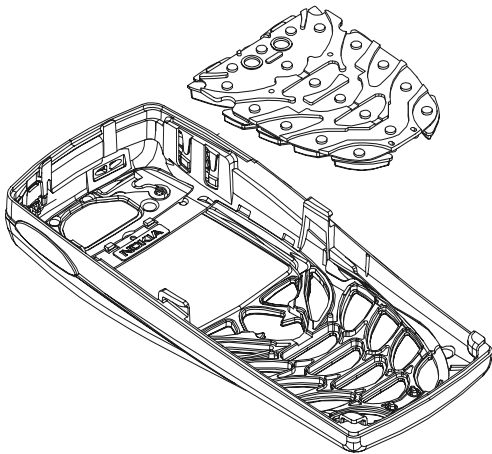
Remove Battery cover.



Remove Battery.

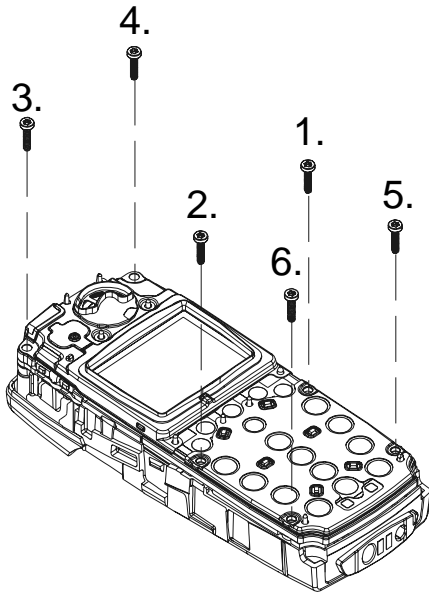


Remove A-cover.
When a new
A-cover is set
remove the inner
protective layer.



Remove Keypad
(only if it is necessary to
replace keypad).

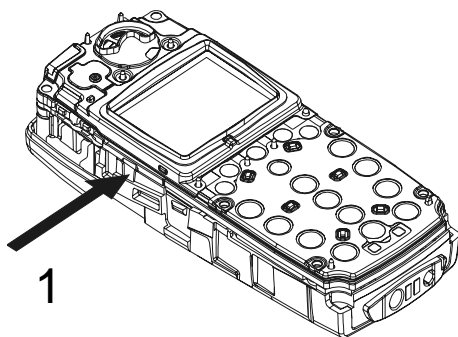
In assembly place A-cover
pins (4 pieces) in respective
holes in the keypad.



Remove the 6 screws.

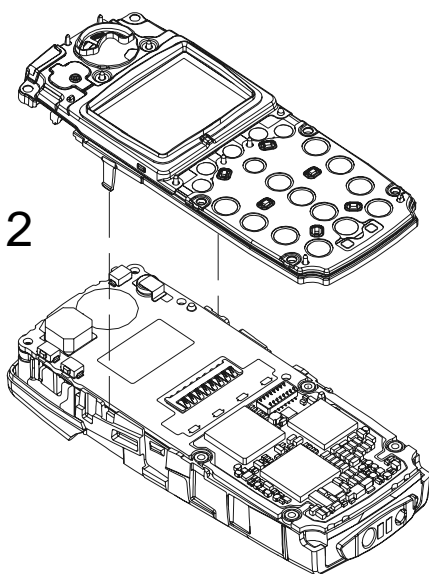
Drive size is torx plus 6.

Note! Screws contain thread locking compound. Used screws must be scrapped and not used again.



Remove UI module.

1. Use plastic tweezers or similar tool to gently press the UI module locking snap.

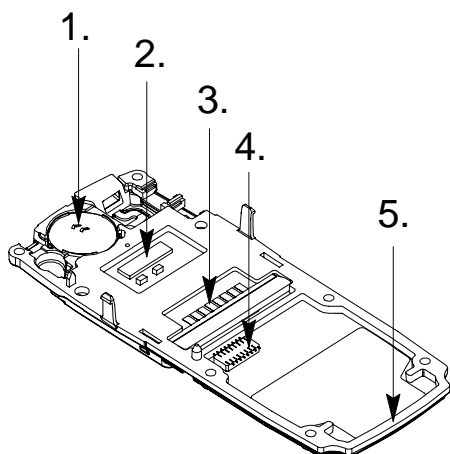


2. Carefully lift up the UI module.

UI handling precautions!

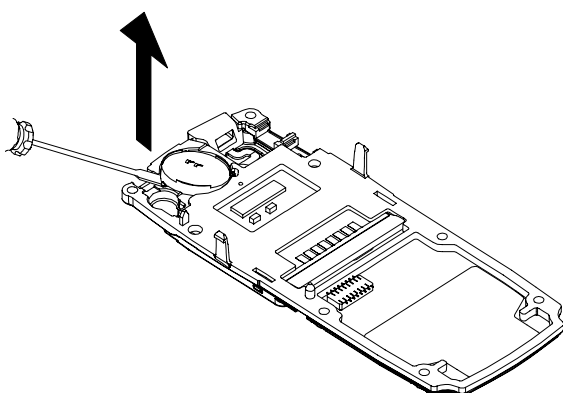
Do not damage the following items when handling the UI module:

- 1. Speaker spring contacts.
- 2. LCD driver.
- 3. LCD contact pads.
- 4. UI PWB contact pads.
- 5. UI frame metal coating.



UI handling precautions!

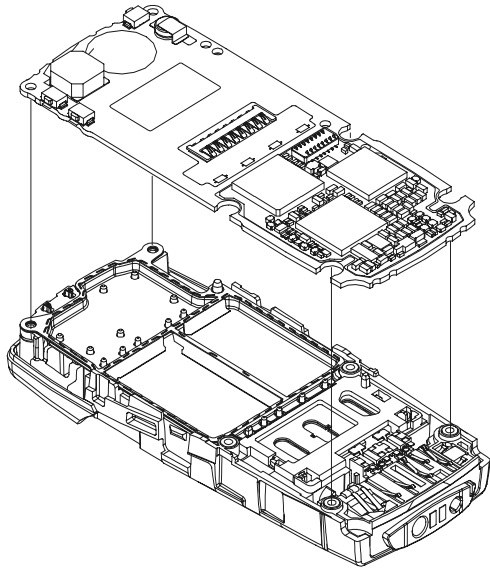
1. Speaker spring contacts.
2. LCD driver.
3. LCD contact pads.
4. UI PWB contact pads.
5. UI frame metal coating.



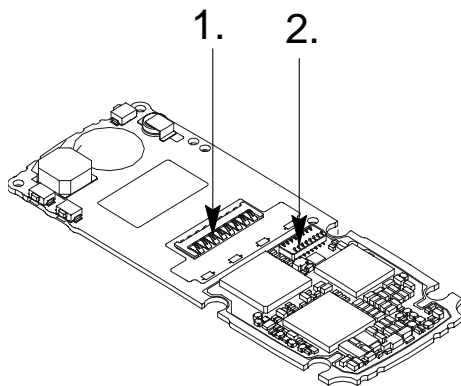
Remove speaker
(only if it is necessary to
replace speaker).

Speaker can be lifted up
using a straight-bladed
screwdriver as shown in
the picture.

Note! Do not touch
speaker springs or
membrane.



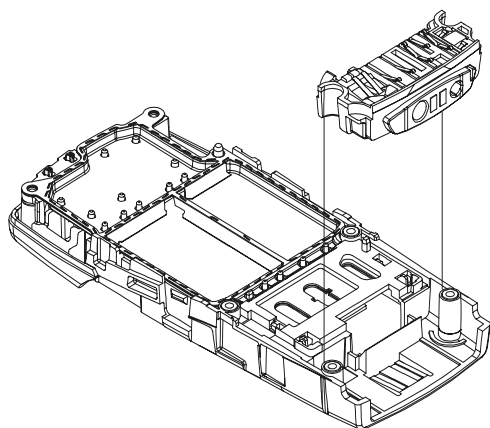
Remove System Module



System Module handling precautions!

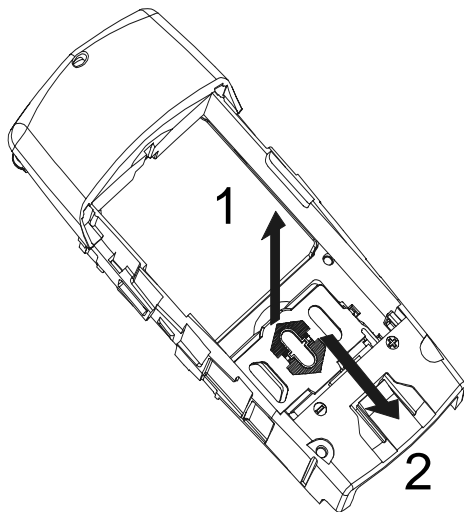
Do not touch the following spring contacts when handling the module:

- 1. LCD connector.
- 2. Board to board connector.



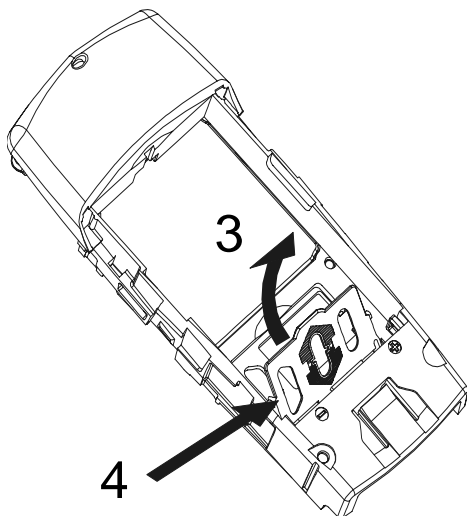
Remove System connector

Note! Do not damage the spring contacts in the System connector.



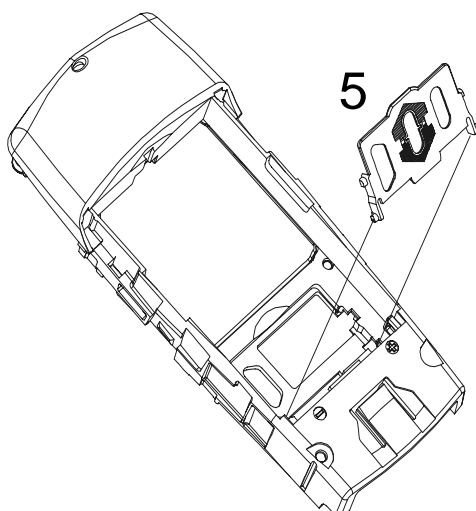
Remove SIM cover
(only if it is necessary to replace
SIM cover).

1. Slightly lift the front edge of the SIM cover to unlocked position
2. and slide it backwards.



3. Turn the SIM cover to
upright position.

4. Squeeze the SIM cover
slightly from the side to
release the side fixings one
at the time.



5. Pull SIM cover out of B cover.

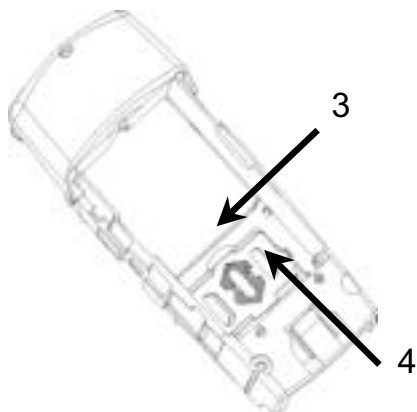
Assembling the NSB-8 Transceiver



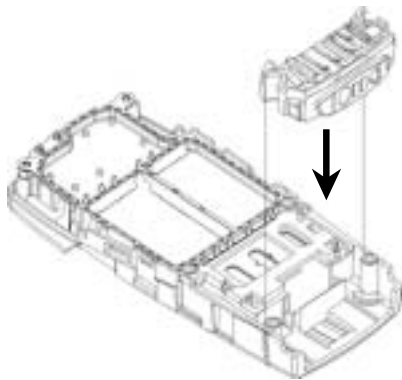
1. Insert SIM cover into B-cover.



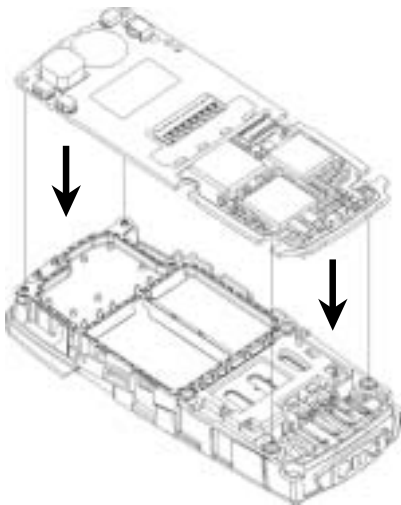
2. Squeeze the SIM cover from the side and insert into the appropriate slots in the B-cover.



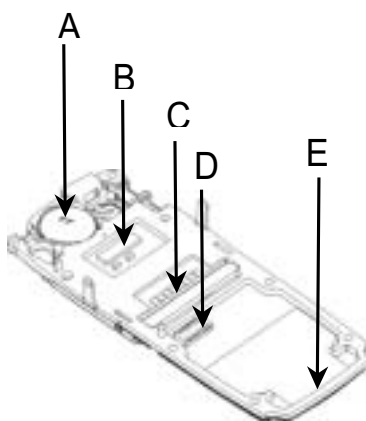
3. Tilt SIM cover down.
4. Slide forward.



1. Insert System Connector.

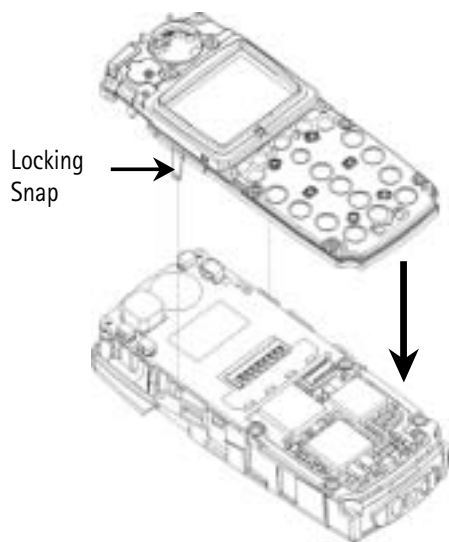


2. Insert System Module.



3. Obtain UI Module
Use caution handling the following:

- A. Speaker spring contacts
- B. LCD driver
- C. LCD contact pads
- D. PWB contact pads
- E. Frame metal coating



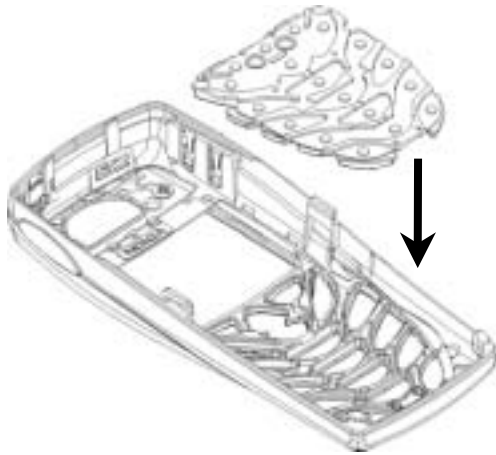
1. Insert UI Module into phone.



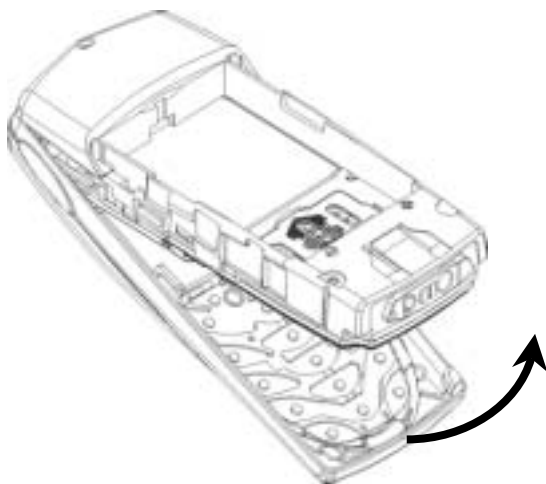
Fasten screws in the order as shown in the picture.

Drive size is torx plus 6.
Tightening torque is 17Ncm @ 800 - 1200 rpm.

Note: Screws contain threadlocking compound. Screws without this compound or used screws should not be fastened.



Insert Keymat into A-cover.



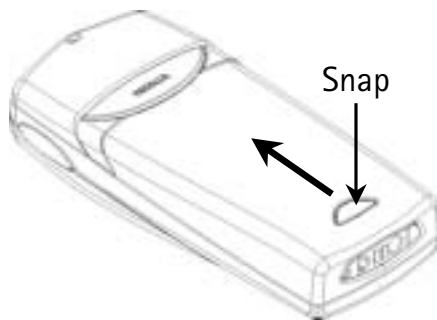
Attach A-cover to phone.



Insert battery.



Attach battery cover.



Slide cover on till the snap locks it in place.

This page intentionally left blank.